

THIS IS A PROPOSAL DRAWING, NOT AN APPROVAL OR RECORD DRAWING.

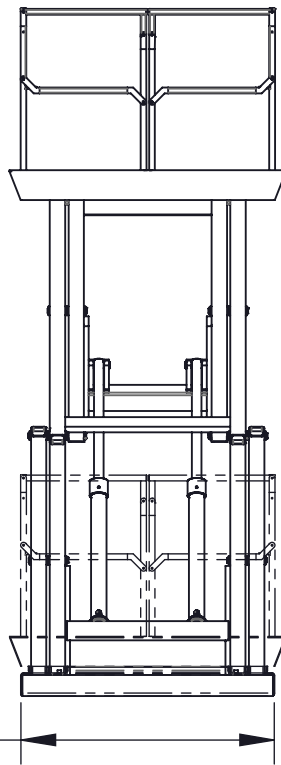
CAPACITY:

CONTROL:

VOLTAGE:

PLATFORM
LENGTH

PLATFORM
WIDTH

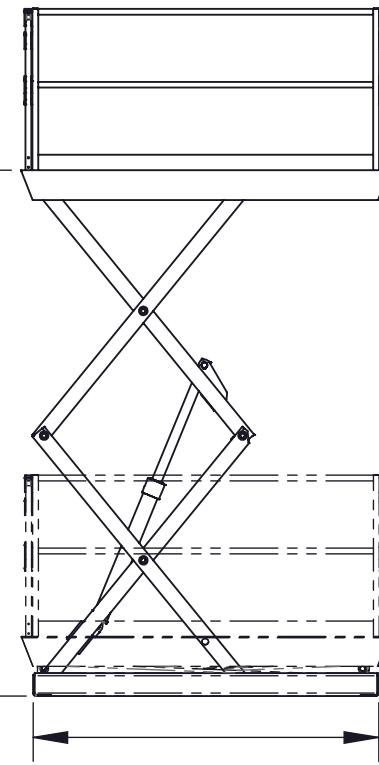


BASE FRAME
WIDTH

LOWERED
HEIGHT

TRAVEL

RAISED
HEIGHT



BASE FRAME
LENGTH

MODEL #:

QUOTE #: